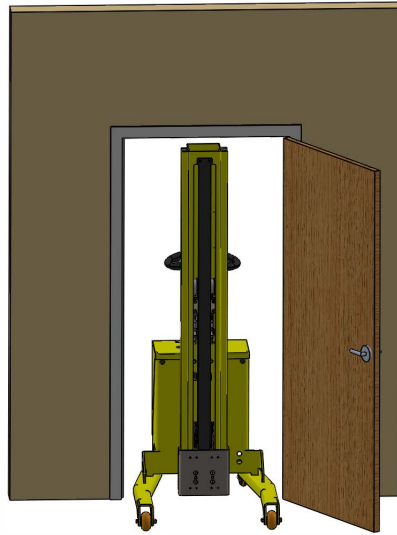
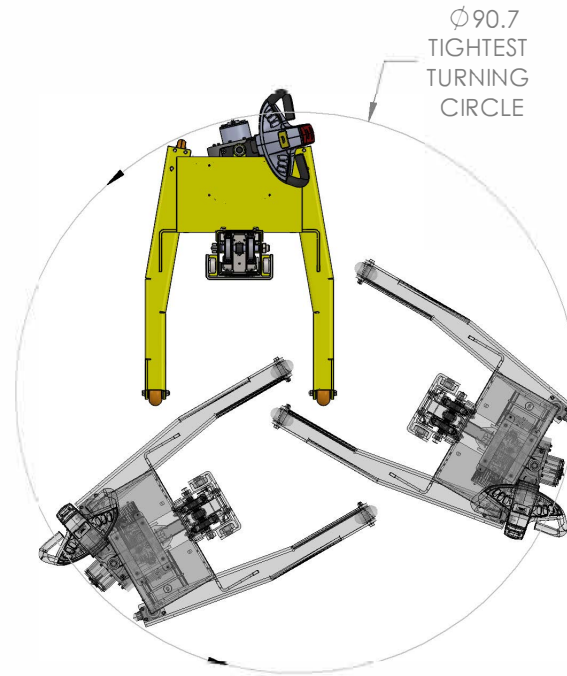


HL SPECIFICATIONS

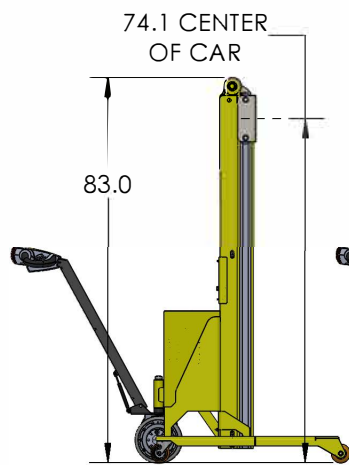
- UNLOADED WEIGHT: 750 LBS
- MAXIMUM LIFTING CAPACITY: 1,000 LBS.
- DUAL 80 Ah BATTERIES WITH ONBOARD 120 VOLT CHARGING SYSTEM



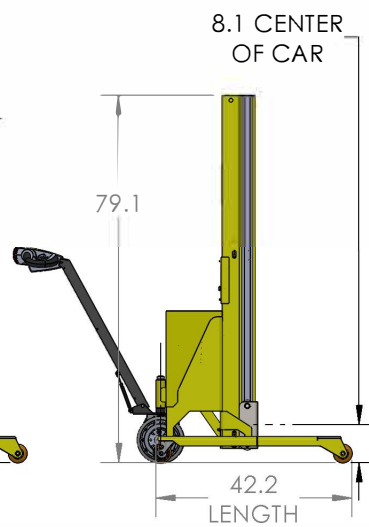
GL FITS THROUGH STANDARD  
80" HIGH DOORS



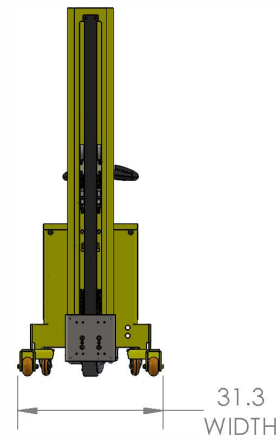
TOP VIEW  
SHOWING TURNING RADIUS



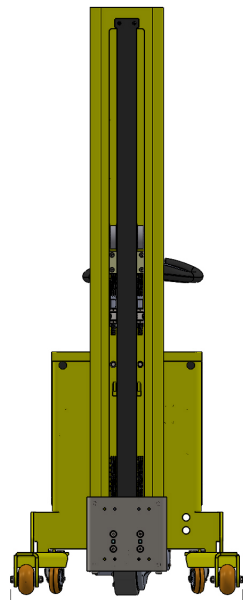
SIDE VIEW  
CAR UP



SIDE VIEW  
CAR DOWN

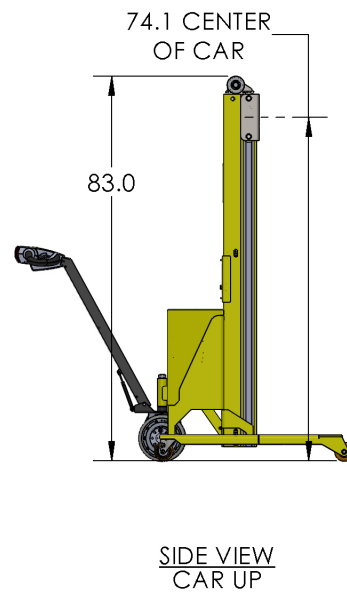
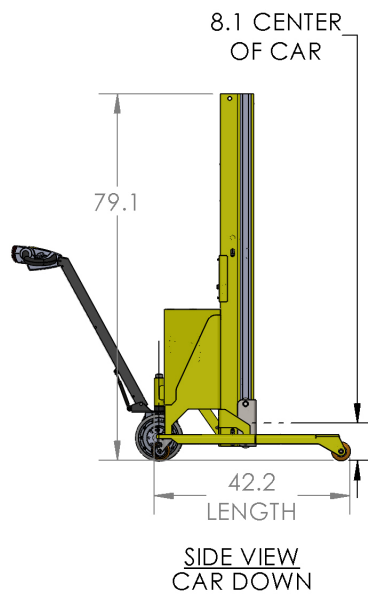


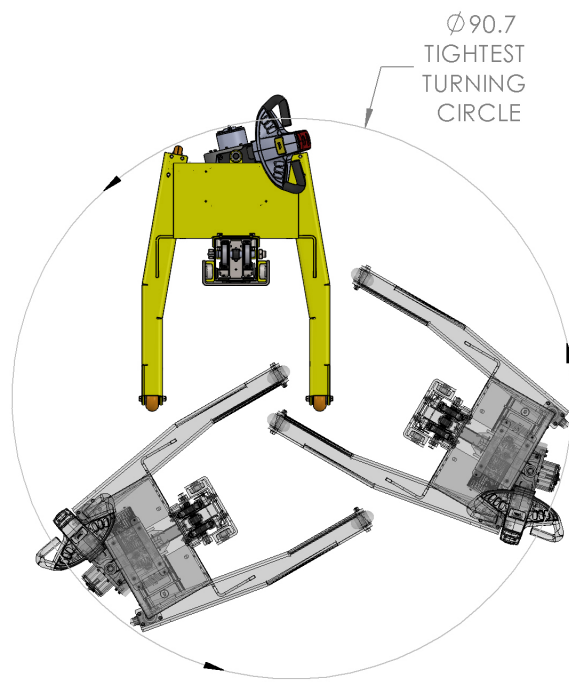
FRONT VIEW



31.3  
WIDTH

FRONT VIEW





Ø 90.7  
TIGHTEST  
TURNING  
CIRCLE

TOP VIEW  
SHOWING TURNING RADIUS