

Fabrication • Modular Mounting Systems

Materials and Finishes

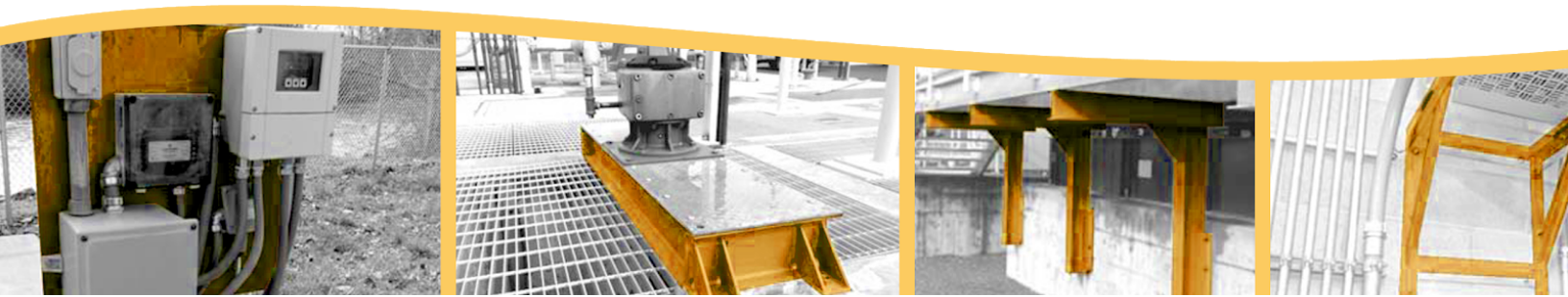
- Hot-dipped Galvanized
- Metallized/Powder Coat
- Aluminum
- 304 SS
- 316 SS
- Painted

General Specifications

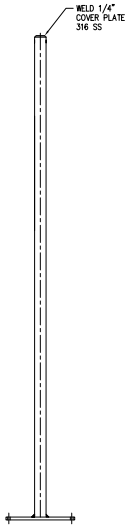
HL stands are fabricated from 2"x2',3/16" wall sq tubing and utilize a flat cap design. Standard stock stands have an 8"x8"x1/2" base plate but a variety of sizes and thicknesses are available upon request. Gussets can also be added upon request for additional support. HL offers Hot-dipped Galvanized Carbon Steel as a standard. Optional coatings are available upon request. Hot-dipped Galvanized stands come standard with weep holes and open base to allow for drainage.

Custom Fabrication

With our onsite fabrication division, HL can handle any of your custom fabrication needs.



Single Floor Stand



General Stand Specifications

HL stands are fabricated from 2"x2", 3/16" wall sq tubing and utilize a flat cap design. Standard stock stands have an 8"x8"x 1/2" base plate but a variety of sizes and thicknesses are available upon request. Gussets can also be added upon request for additional support. HL offers Hot-dipped Galvanized Carbon Steel as a standard. Optional coatings are available upon request. Hot-dipped Galvanized stands come standard with weep holes and an open base to allow for drainage.

Example: **HL 2 FS GV 5 8 G**

Basic part:
Modular Stand (HL)

Size of stand: 2" (2)

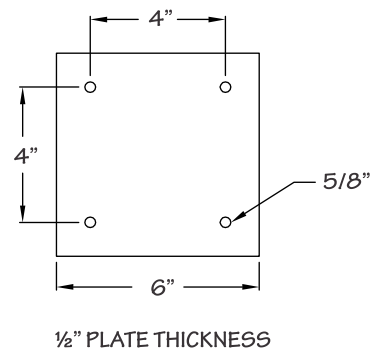
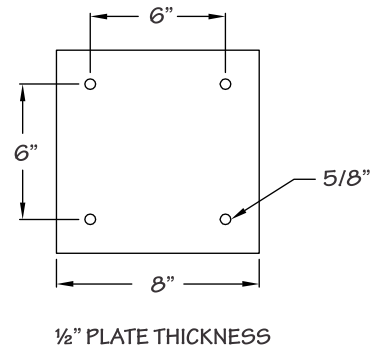
Type of mount:
Floor Stand (FS)

Material Finish:
Aluminum (AL)
Galvanized (GV)
Metallized (M)
304SS (4SS)
316SS (6SS)

Heights:
Specify Height in feet:
10 ft. (10)
7 ft. (7)
5 ft. (5)
3 ft. (3) *Provided with 6" base unless spec'd otherwise*
2 ft. (2) *Provided with 6" base unless spec'd otherwise*

Base Plate Size:
6" (6)
8" (8)
*1/2" Standard thickness

Gussets: (G) or (N/A)



Requested part number:

HL 2 FS _____

QTY: _____

Mounting Plates

General Plate Specifications

HL plates are fabricated from 1/4" plate and will come in standard stock sizes of 12", 18", 24" and 36" sq. Mounting plates can be custom ordered with sun shields if sun shields are required. All mounting plates will utilize one of two mounting methods. Either using the square tube adapter to slide over our standard floor mount stand or our wall mount design (a 3/8" clearance hole in each corner). Additional sizes can be provided upon request. (Standard depth of sun shield is 12" at top and 9" at the bottom).

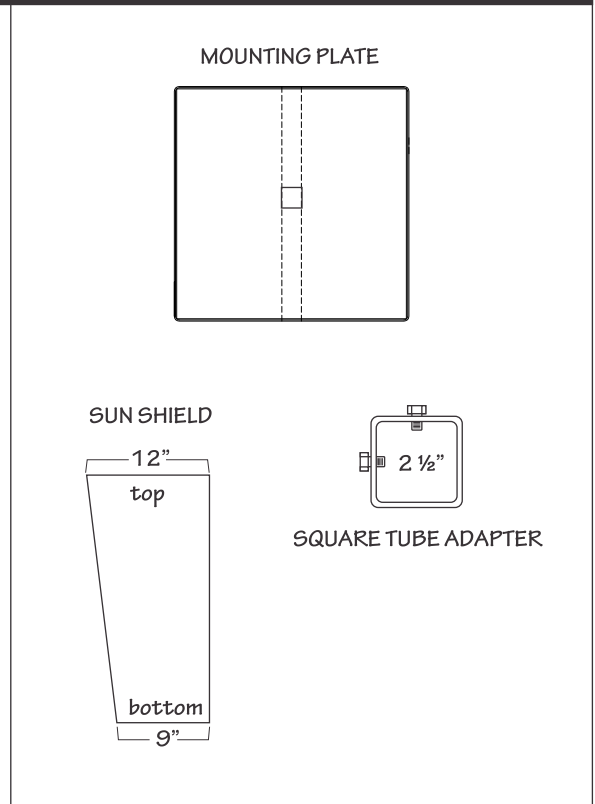
Example:	HL	S	ST	AL	12	SD
Basic part: Mounting plate(HL)	<input checked="" type="checkbox"/>	<input type="checkbox"/>	<input type="checkbox"/>	<input type="checkbox"/>	<input type="checkbox"/>	<input type="checkbox"/>
Sun Shield Required: Yes (S) No (NS)	<input type="checkbox"/>	<input checked="" type="checkbox"/>	<input type="checkbox"/>	<input type="checkbox"/>	<input type="checkbox"/>	<input type="checkbox"/>
Type of mount: Square Tube Adapter (ST) Wall Mount (WM) (4) 3/8" clearance holes	<input type="checkbox"/>	<input type="checkbox"/>	<input checked="" type="checkbox"/>	<input type="checkbox"/>	<input type="checkbox"/>	<input type="checkbox"/>
Material Finish: Aluminum (AL) Galvanized (GV) Metallized (M) 304SS (4SS) 316SS (6SS)	<input type="checkbox"/>	<input type="checkbox"/>	<input type="checkbox"/>	<input checked="" type="checkbox"/>	<input type="checkbox"/>	<input type="checkbox"/>
Width of Plate Sq: Specify Plate in Inches: 36 in. (36) Multiple tube adapters will be used 24 in. (24) Multiple tube adapters will be used 18 in. (18) 12 in. (12) Custom (CP) Height x Width	<input type="checkbox"/>	<input type="checkbox"/>	<input type="checkbox"/>	<input type="checkbox"/>	<input checked="" type="checkbox"/>	<input type="checkbox"/>
Sun Shield Size: Standard (SD) 12" top x 9" bottom Custom (CS)	<input type="checkbox"/>	<input type="checkbox"/>	<input type="checkbox"/>	<input type="checkbox"/>	<input type="checkbox"/>	<input checked="" type="checkbox"/>

Custom Dimensions

h x w

Custom Dimensions

top x bottom



Requested part number:

HL

QTY: _____

Modular Bulls Horns

General Instrument Stand Specifications

HL can provide a modular instrument stand for either wall mount or floor mount applications. HL also offers these options in multiple configurations from a single bulls horn to multiple bulls horns. The bulls horns are built with a standard 2" sch 40 pipe in order to accommodate normal instrument installations. We have designed the horns with our standard square tube adapter in order to maintain consistency with all of the other instrument stands.

Example: HL 2 FS GV 2 12

Basic part: Instrument Stand (HL)
Size of pipe: 2" sch 40 (2)
Type of mount: Floor Stand (FS) with square tube adapter Wall Mount (WM)
Material Finish: Aluminum (AL) Galvanized (GV) Painted (PT) 304SS (4SS) 316SS (6SS)
Number of Columns: 4 (4) 3 (3) 2 (2) 1 (1) Add and (H) after (1) for Horizontal Mount Length of Horizontal Horn If (H) is selected
Base plate: 3/8" (38) 1/2" (12)

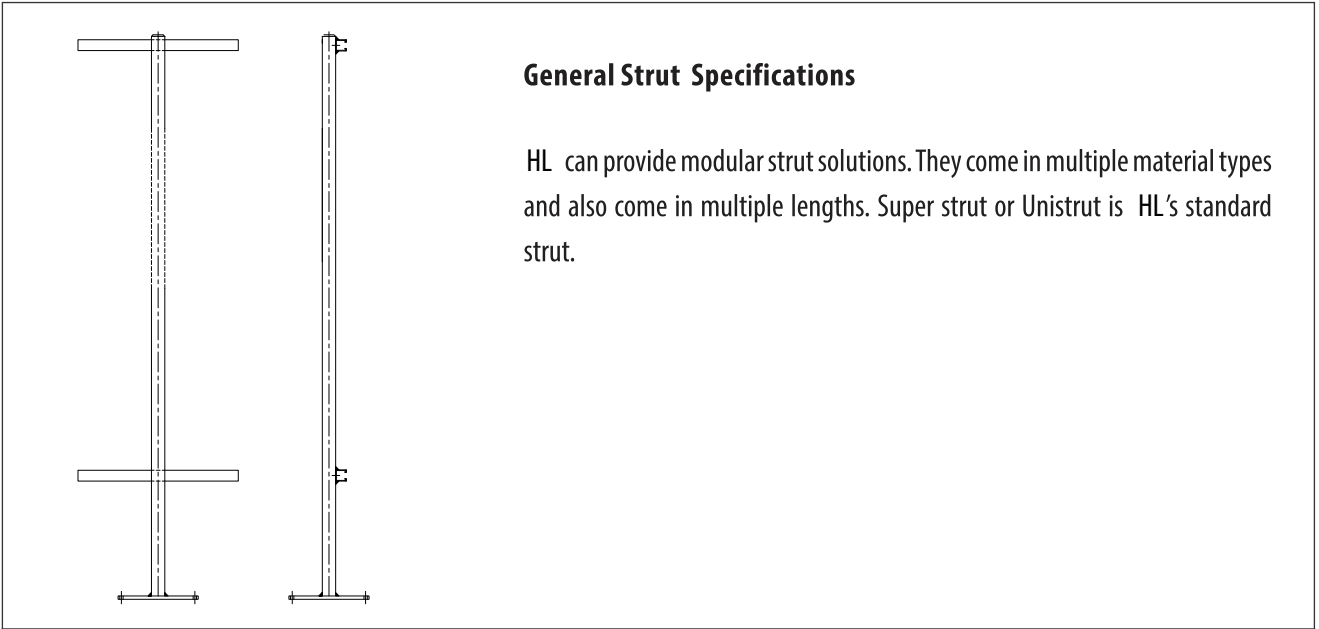
BULLS HORNS WILL BE MODULAR & WILL MOUNT WITH OUR STANDARD SQUARE TUBE ADAPTER ON OUR STANDARD FLOOR STANDS.

Requested part number:

HL _____

QTY: _____

Mounting Struts



General Strut Specifications

HL can provide modular strut solutions. They come in multiple material types and also come in multiple lengths. Super strut or Unistrut is HL's standard strut.

Example:	HL	V	ST	GLD	12	78
Basic part: Basic Strut (HL)	[Dotted lines connecting to columns]					
Mount Configuration: Vertical (V) Top (T) Horizontal (H)	[Dotted lines connecting to columns]					
Type of mount: Square Tube Adapter (ST) Wall Mount (WM)	[Dotted lines connecting to columns]					
Material Finish: Zinc Plated (ZP) Aluminum (AL) Galvanized (GV) Gold (GLD) 304SS (4SS) 316SS (6SS)	[Dotted lines connecting to columns]					
Length of Strut: Specify Length in Inches: 24 in. (24) 18 in. (18) 12 in. (12) 10 in. (10) 8 in. (8) Custom Length (CP)	<p>Custom Length</p> <p>Length</p> <p>[Dotted lines connecting to columns]</p>					
Strut Size: 7/8" (78) 1-5/8" (158) 7/8" Back to Back Strut (78BB) 1-5/8" Back to Back Strut (158BB) Custom Strut (CS)	<p>Custom Strut Description</p> <p>[Dotted lines connecting to columns]</p>					

HORIZONTAL MOUNT

TOP MOUNT

VERTICAL MOUNT

Requested part number:

HL

QTY: _____